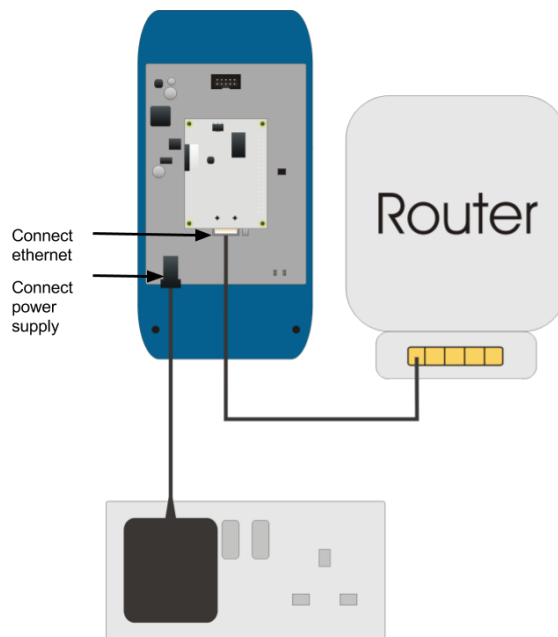


Cloud Gateway Quick Start Guide



For the cloud gateway device to function there must also be an RA/RTC/WA/WTC Bridge installed. The Bridge should have an up to date project file for the system loaded into it.



- 1) Remove the two screws at the base of the lid.
- 2) Remove the lid.
- 3) Connect the ethernet cable into the centre of the Cloud Gateway circuit board and plug the other end into the router.
- 4) Plug the power supply provided into the socket on the left hand side of the circuit board and plug the other end into a power socket.

To set-up the Cloud Gateway:

- 1) Visit my.rakocontrols.com to create an account to link the Cloud Gateway as prompted by the display on the device.
- 2) Verify the Rako account using the confirmation link sent to the email of the registered account.
- 3) Once the account is verified return to my.rakocontrols.com. Select “Link device” on the homepage.
- 4) A Link code is required to set-up the Cloud Gateway. This is read from the display on the Cloud Gateway device itself: press “tick” to show link code.
If the code does not appear and the display reads “Rako Controls” press “down” followed by “tick” to show the code.
- 5) Give a nickname to the device and enter this code. Press the “Link device” button to complete set-up.
- 6) The Cloud Gateway is now ready to be used. Enable the Rako Skill within the Alexa App and click “Discover Devices”.
The names shown in the ‘devices’ section are those that will need to be used when asking Alexa to control the Rako system.

Additional information and updates on the Cloud Gateway is available at my.rakocontrols.com

Example Phrases

“Alexa, turn the dining room lights on”

or

“Alexa, turn the dining room lights on at 50%”

or

“Alexa, change the dining room lights to 50%”